

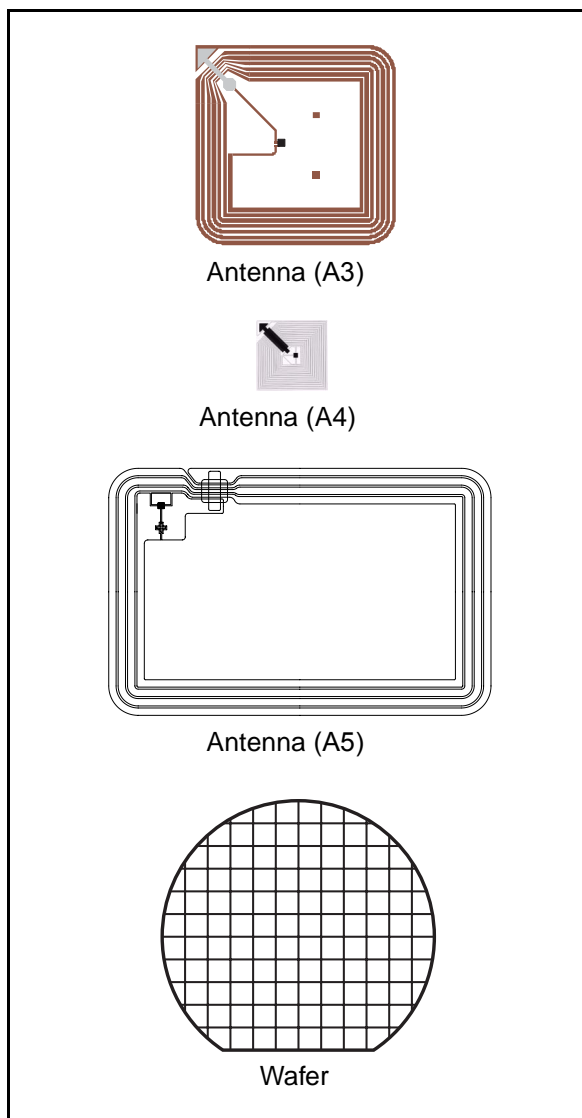


13.56-MHz Short-range Contactless Memory Chip with 512-bit EEPROM and Anti-Collision functions

Data Brief

Features

- ISO 14443 - 2 Type B Air Interface Compliant
- ISO 14443 - 3 Type B Frame Format Compliant
- 13.56MHz Carrier Frequency
- 847kHz Sub-carrier Frequency
- 106 kbit/second Data Transfer
- 8-bit Chip_ID based anticollision system
- 2 Count-Down Binary Counters with automated Anti-tearing protection
- 64-bit Unique Identifier
- 512-bit EEPROM with Write Protect feature
- Read Block and Write Block (32 bits)
- Internal Tuning Capacitor
- 1million Erase/Write Cycles
- 40-Year Data Retention
- Self-Timed Programming Cycle
- 5ms Typical Programming Time

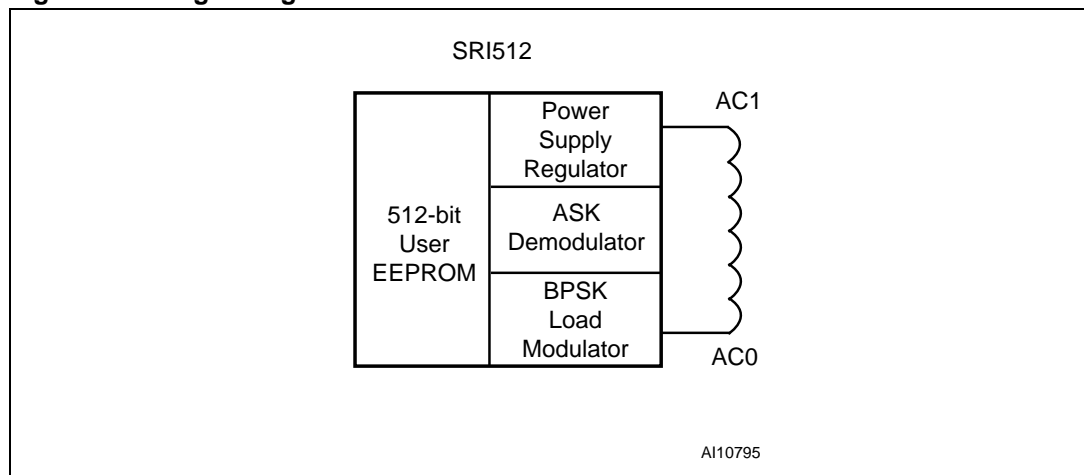


Summary description

The SRI512 is a contactless memory, powered by an externally transmitted radio wave. It contains a 512-bit user EEPROM fabricated with STMicroelectronics CMOS technology. The memory is organized as 16 blocks of 32 bits. The SRI512 is accessed via the 13.56MHz carrier. Incoming data are demodulated and decoded from the received Amplitude Shift Keying (ASK) modulation signal and outgoing data are generated by load variation using Bit Phase Shift Keying (BPSK) coding of a 847kHz sub-carrier. The received ASK wave is 10% modulated. The Data transfer rate between the SRI512 and the reader is 106kbit/s in both reception and emission modes.

The SRI512 follows the ISO 14443 part 2 type B recommendation for the radio-frequency power and signal interface.

Figure 1. Logic Diagram



The SRI512 is specifically designed for short range applications that need re-usable products. The SRI512 includes an anti-collision mechanism that allows it to detect and select tags present at the same time within range of the reader. Using the STMicroelectronics single chip coupler, CRX14, it is easy to design a reader and build a contactless system.

Table 1. Signal Names

AC1	Antenna Coil
AC0	Antenna Coil

The SRI512 contactless EEPROM can be randomly read and written in block mode (each block containing 32 bits). The instruction set includes the following nine commands:

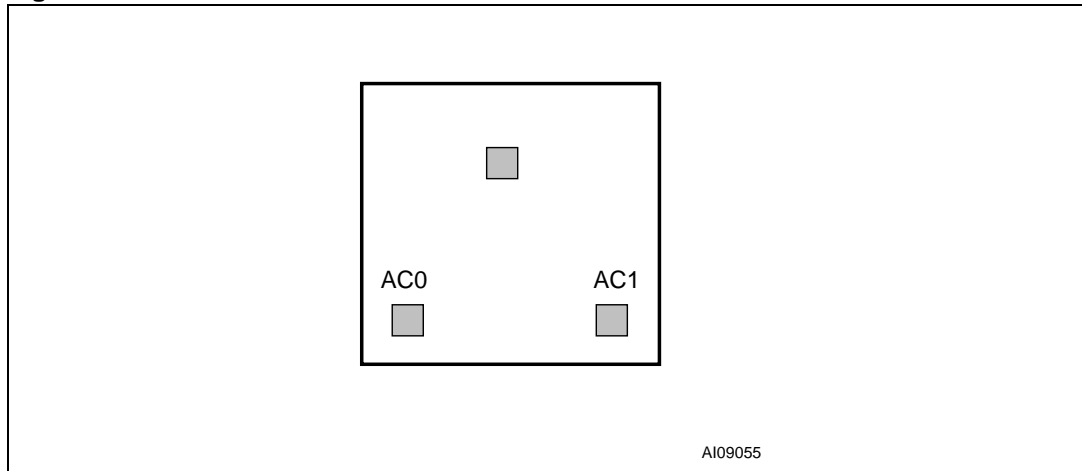
- READ_BLOCK
- WRITE_BLOCK
- INITIATE
- PCALL16
- SLOT_MARKER
- SELECT
- COMPLETION
- RESET_TO_INVENTORY
- GET_UID

The SRI512 memory is organized in three areas. The first area is a resettable OTP (one-time programmable) area in which bits can only be switched from 1 to 0. Using a special command, it is possible to erase all bits of this area to 1. Optionally, this area can be set as an EEPROM area where all blocks behave as User blocks. This option is set by ST on request.

The second area provides two 32-bit binary counters that can only be decremented from FFFFFFFFh to 00000000h, and gives a capacity of 4,294,967,296 units per counter.

The last area is the EEPROM memory. It is accessible by block of 32 bits and includes an auto-erase cycle during each WRITE_BLOCK command.

Figure 2. Die Floor Plan



Memory mapping

The SRI512 is organized as 16 blocks of 32 bits as shown in [Table 2](#). All blocks are accessible by the READ_BLOCK command. Depending on the write access, they can be updated by the WRITE_BLOCK command. A WRITE_BLOCK updates all the 32 bits of the block.

Table 2. SRI512 memory mapping

Block Addr	Msb b ₃₁	32 bits Block				Lsb b ₀	Description
		b ₁₆	b ₁₅	b ₁₄	b ₈ b ₇		
0		32 bits Boolean Area (option: User Area)					Resettable OTP bits (option: lockable EEPROM)
1		32 bits Boolean Area (option: User Area)					
2		32 bits Boolean Area (option: User Area)					
3		32 bits Boolean Area (option: User Area)					
4		32 bits Boolean Area (option: User Area)					
5		32 bits binary counter					Count down Counter
6		32 bits binary counter					
7		User Area					Lockable EEPROM
8		User Area					
9		User Area					
10		User Area					
11		User Area					
12		User Area					
13		User Area					
14		User Area					
15		User Area					
255		OTP_Lock_Reg	OTP_Config	ST Reserved	Fixed Chip_ID (Option)	System OTP bits	
UID0		64 bits UID Area				ROM	
UID1							

Part numbering

Table 3. Ordering Information Scheme

Example:	SRI512	-	W4 / XXX
Device Type			
SRI512			
Package			
W4 = 180 μm ± 15 μm Unsaun Wafer			
SBN18 = 180μm ± 15 μm Bumped and Sawn Wafer on 8-inch Frame			
A3T = 38mm x 38mm Copper Antenna on Continuous Tape			
A3S = 38mm x 38mm Copper Singulated Adhesive Antenna on Tape			
A4T = 15mm x 15mm Copper Antenna on Continuous Tape			
A4S = 15mm x 15mm Copper Singulated Adhesive Antenna on Tape			
A5T = 42mm x 65mm Copper Antenna on Continuous Tape			
A5S = 42mm x 65mm Copper Singulated Adhesive Antenna on Tape			
Customer Code			
XXX = Given by STMicroelectronics			

Note: Devices are shipped from the factory with the memory content bits erased to 1.
 For a list of available options (Speed, Package, etc.) or for further information on any aspect of this device, please contact your nearest ST Sales Office.

Revision history

Table 4. Document revision history

Date	Revision	Changes
23-Mar-2006	1	Initial release.
18-Apr-2006	2	Added <i>Memory mapping on page 4.</i>

Please Read Carefully:

Information in this document is provided solely in connection with ST products. STMicroelectronics NV and its subsidiaries ("ST") reserve the right to make changes, corrections, modifications or improvements, to this document, and the products and services described herein at any time, without notice.

All ST products are sold pursuant to ST's terms and conditions of sale.

Purchasers are solely responsible for the choice, selection and use of the ST products and services described herein, and ST assumes no liability whatsoever relating to the choice, selection or use of the ST products and services described herein.

No license, express or implied, by estoppel or otherwise, to any intellectual property rights is granted under this document. If any part of this document refers to any third party products or services it shall not be deemed a license grant by ST for the use of such third party products or services, or any intellectual property contained therein or considered as a warranty covering the use in any manner whatsoever of such third party products or services or any intellectual property contained therein.

UNLESS OTHERWISE SET FORTH IN ST'S TERMS AND CONDITIONS OF SALE ST DISCLAIMS ANY EXPRESS OR IMPLIED WARRANTY WITH RESPECT TO THE USE AND/OR SALE OF ST PRODUCTS INCLUDING WITHOUT LIMITATION IMPLIED WARRANTIES OF MERCHANTABILITY, FITNESS FOR A PARTICULAR PURPOSE (AND THEIR EQUIVALENTS UNDER THE LAWS OF ANY JURISDICTION), OR INFRINGEMENT OF ANY PATENT, COPYRIGHT OR OTHER INTELLECTUAL PROPERTY RIGHT.

UNLESS EXPRESSLY APPROVED IN WRITING BY AN AUTHORIZED REPRESENTATIVE OF ST, ST PRODUCTS ARE NOT DESIGNED, AUTHORIZED OR WARRANTED FOR USE IN MILITARY, AIR CRAFT, SPACE, LIFE SAVING, OR LIFE SUSTAINING APPLICATIONS, NOR IN PRODUCTS OR SYSTEMS, WHERE FAILURE OR MALFUNCTION MAY RESULT IN PERSONAL INJURY, DEATH, OR SEVERE PROPERTY OR ENVIRONMENTAL DAMAGE.

Resale of ST products with provisions different from the statements and/or technical features set forth in this document shall immediately void any warranty granted by ST for the ST product or service described herein and shall not create or extend in any manner whatsoever, any liability of ST.

ST and the ST logo are trademarks or registered trademarks of ST in various countries.

Information in this document supersedes and replaces all information previously supplied.

The ST logo is a registered trademark of STMicroelectronics. All other names are the property of their respective owners.

© 2006 STMicroelectronics - All rights reserved

STMicroelectronics group of companies

Australia - Belgium - Brazil - Canada - China - Czech Republic - Finland - France - Germany - Hong Kong - India - Israel - Italy - Japan - Malaysia - Malta - Morocco - Singapore - Spain - Sweden - Switzerland - United Kingdom - United States of America

www.st.com